



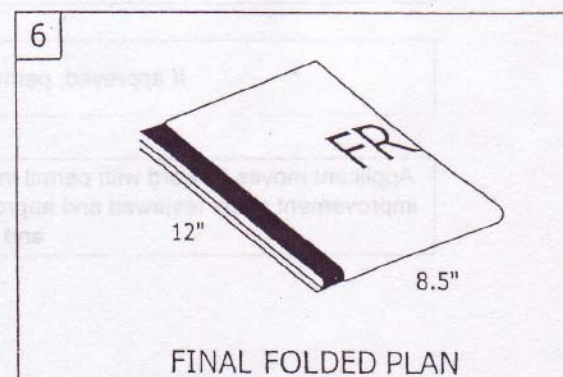
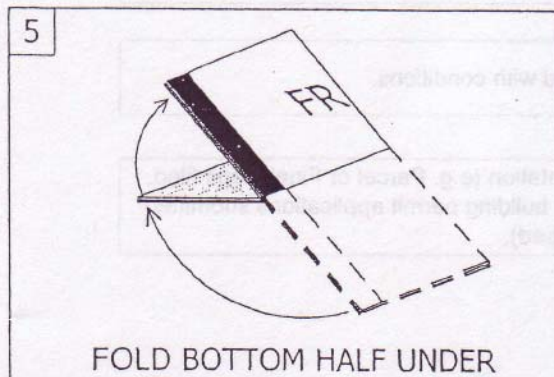
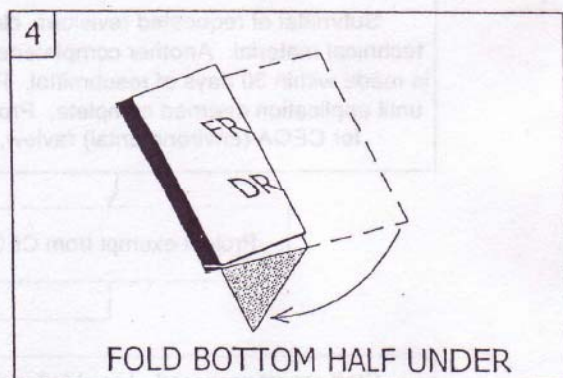
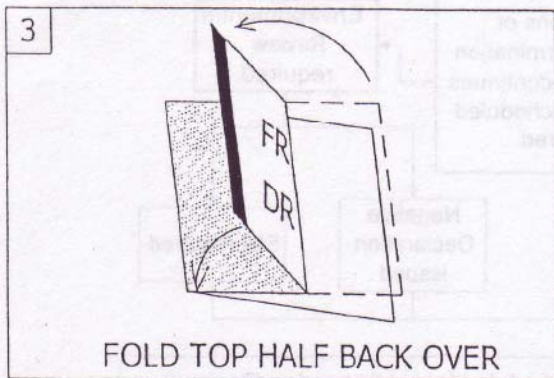
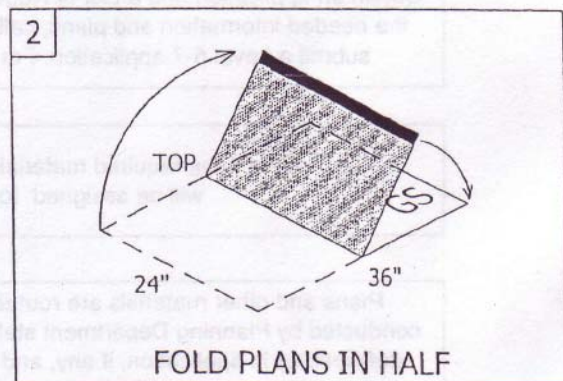
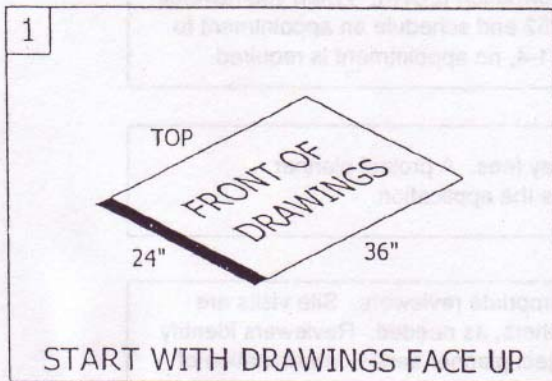
# COUNTY OF SANTA CRUZ

## PLANNING DEPARTMENT

701 OCEAN STREET, 4<sup>TH</sup> FLOOR, SANTA CRUZ, CA 95060  
(831) 454-2580 FAX: (831) 454-2131 TDD: (831) 454-2123  
KATHLEEN MOLLOY PREVISICH, PLANNING DIRECTOR

## How to Fold Plans

THIS FORMAT TO BE USED FOR "D" SIZED (24" X 36") SHEETS



FOR OTHER SIZED SHEETS (18" X 24"), PLEASE TALK WITH A BUILDING PERMIT TECH